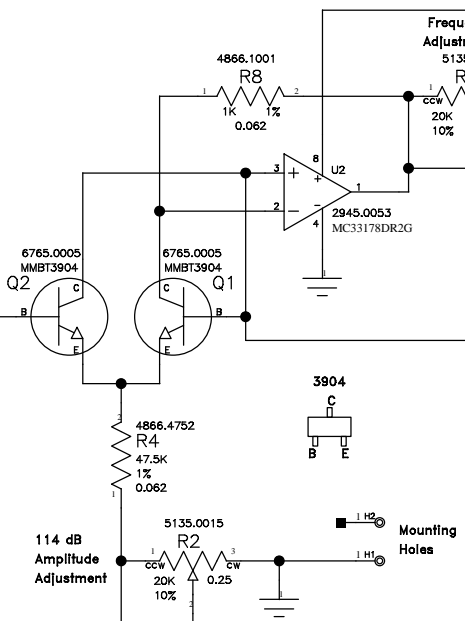


Vt	deg C
0.4 V	-10
0.7 V	20
1.0 V	50

Temperature Compensation
1.4 dB Max

R17 Loaded In Test
R17=13.9k/dB
dB is amount down
at 50 deg C from
the extended straight line
-10 deg C to 23 deg C



I1 ECO 4562 RoHS COMPLIANT LH & AJR 03 MAY 2017

ENGINEER: LEROY HARBAUGH		PCB PIEZOTRONICS	
DRAWN BY: LEROY HARBAUGH			
DATE: 03/11/2008		TITLE: ACOUSTIC CALIBRATOR CLASS 1	
SIGNED:		REV: 1	
DATE:		SIZE: D	
		NUMBER: A250.1	
		SHEET: 1 OF 1	