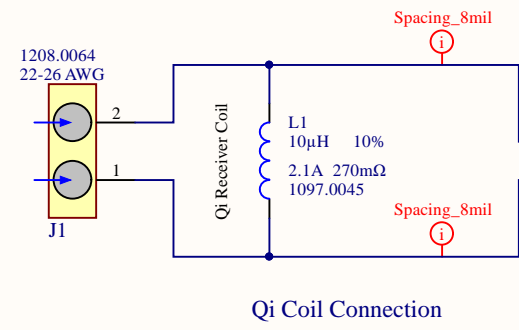


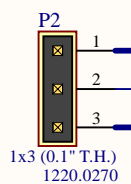
Notes:
Connections with a thick line, as shown above, indicate high current path.

3.7 Volts
Panasonic UF553450Z
Li-Ion Prismatic Cell

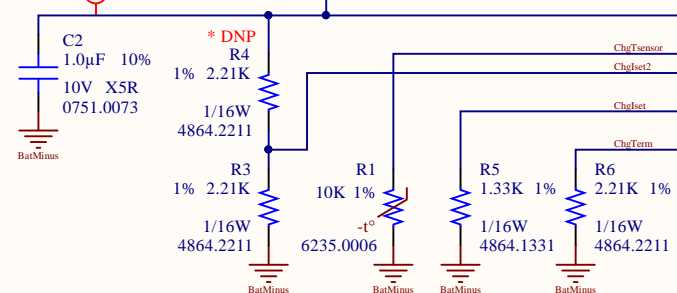
▲ Under Voltage Protection: 2.8V
Over Voltage Protection: 4.275V
Over Current Protection: 1.5A
Current Calculation: $\frac{0.1V_{OCD}}{2 * 33m\Omega_{FET\ Rsd}} = 1.5A$



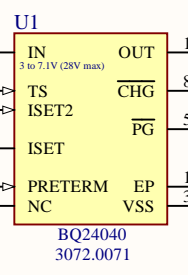
Board to Board Connection (P1 & P2)



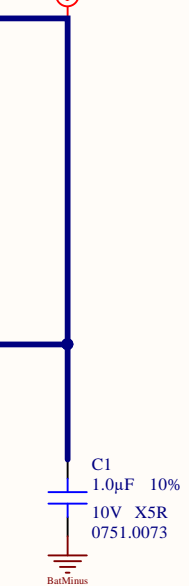
Spacing_8mil



Li-Ion Charger



Spacing_8mil



Li-Ion Battery Pack

Revision History			
Rev	Date	ECO	Description
A	06 Dec 2018	4761	Initial Release

ISET2	Current	Resistors Installed
Low	ISET I _{typ} = 540/Rset = 540/1330 = 406mA I _{max} = 570/Rset = 570/1330 = 433mA	R3 installed, R4 none
Float	100mA _{max}	R3 none, R4 none
High	500mA _{max} <Selected Charge Current>	R3 none, R4 installed

* DNP indicates "Do Not Populate" or load this item (not on BOM).



Title		Li+ Battery Pack	
Desc.		Li-Ion Battery Pack Board	
Size	B	Item	A730.02
Created	03 Aug 2018	Rev.	A
Revised	19 Dec 2018	Eng.	Alan Rasmussen
		Sheet	1/1

