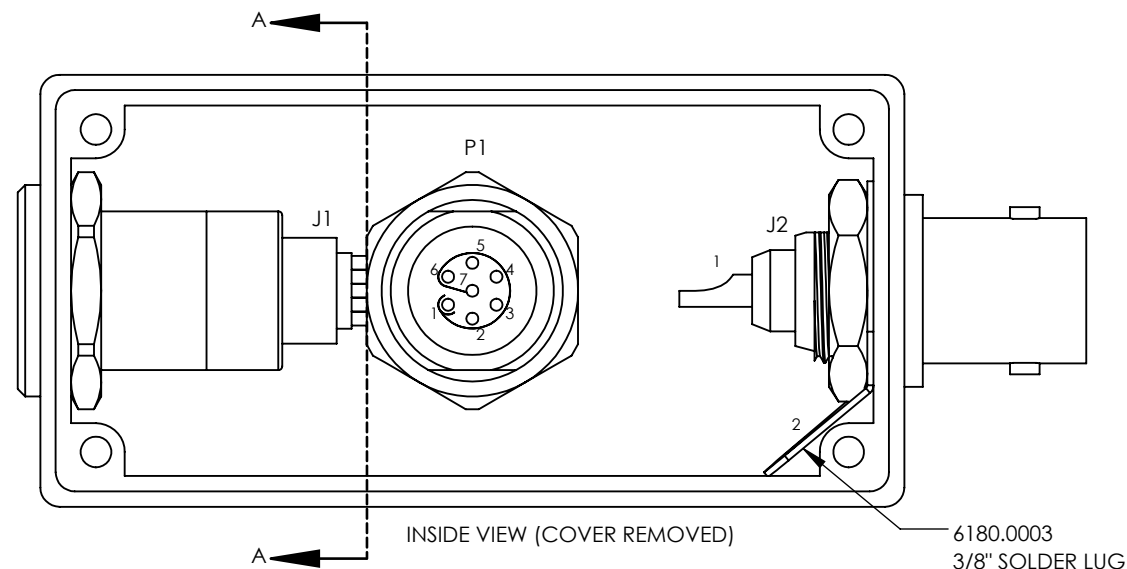
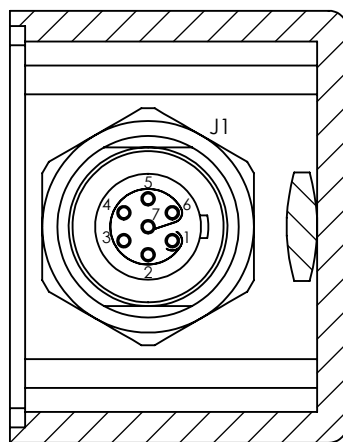
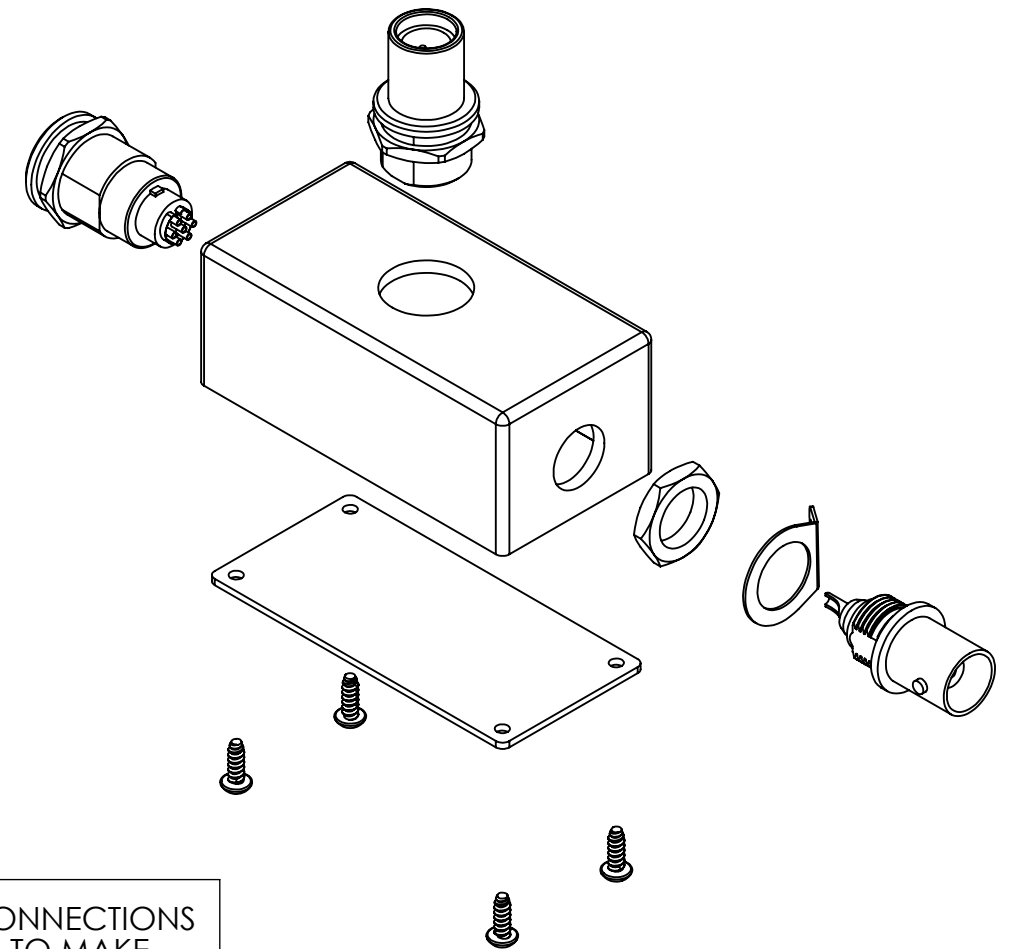
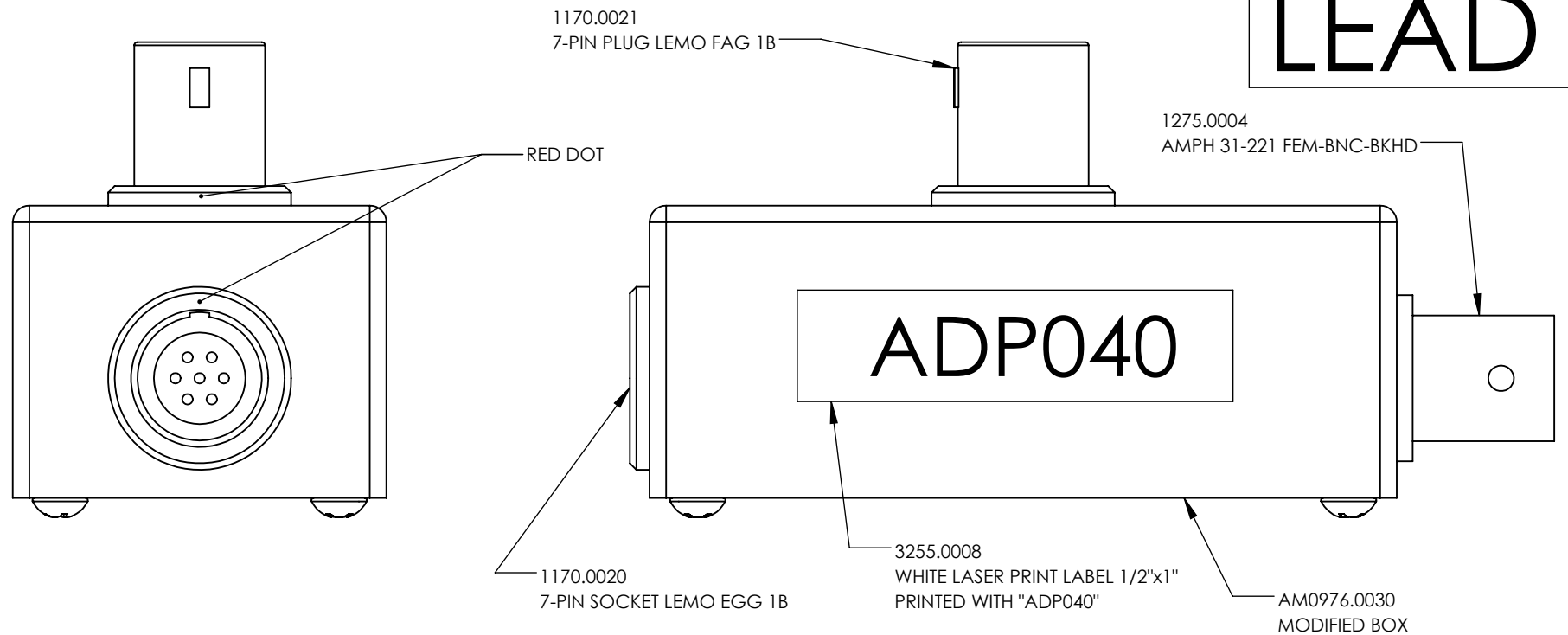


LEAD FREE

REV.	DESCRIPTION	DATE	BY	ECO
A	INITIAL RELEASE	3/4/1997	LEROY H.	
B				
C	REBUILT DRAWING, ADDED CONNECTORS, PINOUT, AND LABEL	12/27/2018	D. WEBSTER	4769



CONNECTIONS TO MAKE		
P1	J1	J2
1	1	
2	2	2
3	3	
4	4	1
5	5	
6	6	
7	7	

ASSEMBLY NOTES:

1. POSITION THE CONNECTORS AND SOLDERING LUG WITH THE ORIENTATIONS SHOWN, USING PROVIDED WASHERS AND NUTS TO SECURE IN PLACE.
2. MAKE ALL SOLDER CONNECTIONS USING 7252.22BUS (22 AWG SOLID BUS BAR WIRE) AND THE TABLE PROVIDED .
3. PRINT LABEL 3255.0008 WITH TEXT "ADP040" AND PLACE ON AM976.0030 BOX AS SHOWN.
4. SECURE BOTTOM COVER USING SCREWS PROVIDED.

NOTES:

1. SEE BOM AS PROVIDED BY PCB ENGINEERING.
2. ALL EQUIVALENCIES MUST BE APPROVED BY PCB ENGINEERING.
3. ALL COMPONENTS AND PROCESSES MUST BE ROHS COMPLIANT.

PROPRIETARY AND CONFIDENTIAL THIS DOCUMENT, SUBMITTED IN CONFIDENCE, CONTAINS PROPRIETARY INFORMATION WHICH SHALL NOT BE REPRODUCED OR TRANSFERRED TO OTHER DOCUMENTS OR DISCLOSED TO OTHERS OR USED FOR ANY OTHER PURPOSE WITHOUT THE WRITTEN PERMISSION OF PCB PIEZOTRONICS, INC.
 COPYRIGHT © PCB PIEZOTRONICS, INC. FILE NAME: ADP040 MIC SIGNAL TEE 7-PIN LEMO

AUTHOR
LEROY H.
DATE
3/4/1997

PCB PIEZOTRONICS
Provo, Utah, USA (801) 375-0177

TITLE
MIC SIGNAL TEE 7-PIN LEMO

SIZE NUMBER
B ADP040

SCALE 2:1

REV. C

SHEET 1 OF 1