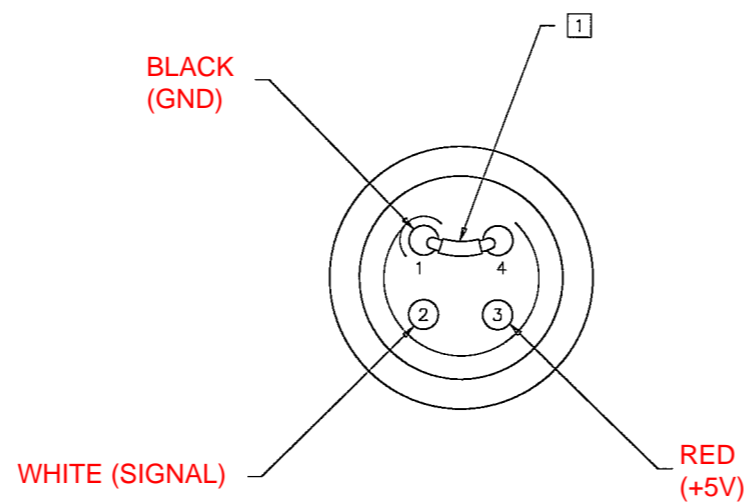
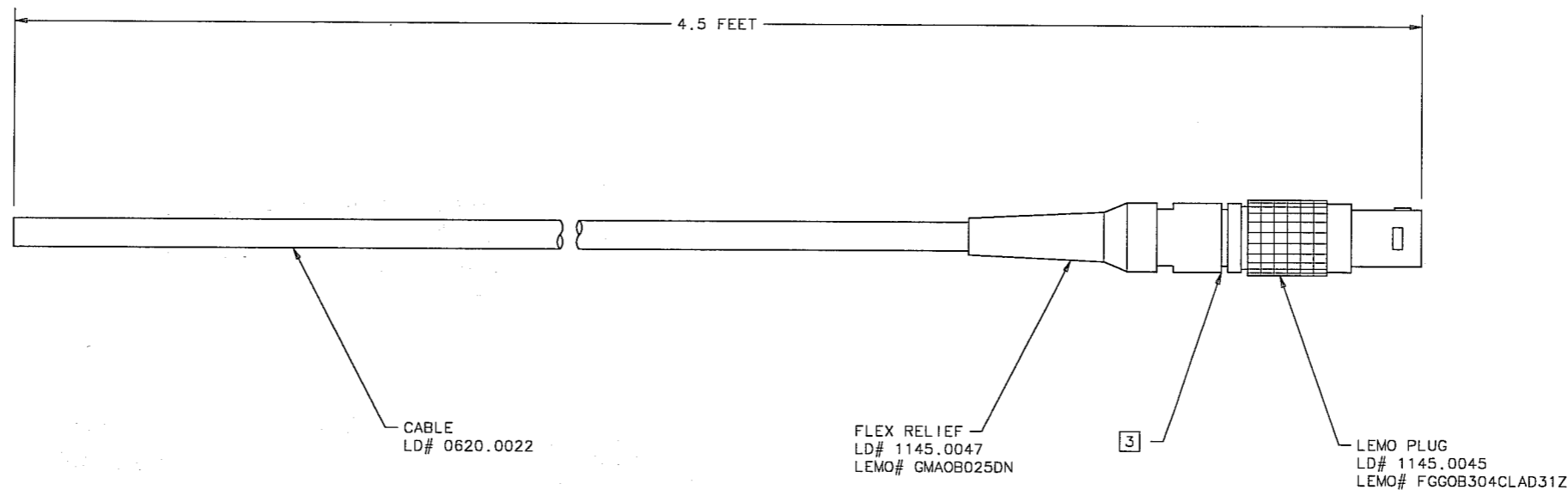


THIS DOCUMENT, SUBMITTED IN CONFIDENCE CONTAINS PROPRIETARY INFORMATION WHICH SHALL NOT BE REPRODUCED OR TRANSFERRED TO OTHER DOCUMENTS OR DISCLOSED TO OTHERS OR USED FOR MANUFACTURING OR ANY OTHER PURPOSE WITHOUT WRITTEN PERMISSION OF LARSON-DAVIS CORPORATION.

LEAD FREE

REVISIONS		
REV DATE	ECO	DESCRIPTION
B	20SEP2017	4626 WIRE COLORS CHANGE TO USE RoHS COMPLIANT CABLE TENSILITY 30-00495 FOR 0620.0022



LEMO PLUG
INSIDE VIEW

NOTES:

- 1 SOLDER A JUMPER WIRE BETWEEN PINS 1 AND 4 OF THE LEMO CONNECTOR (ITEM 3).
2. CONNECT CABLE SHIELD TO LEMO HOUSING (SEE MANUFACTURER'S INSTRUCTIONS FOR DETAILS).
- 3 AFTER TESTING, APPLY PURPLE THREAD LOCK (LD# 0220.0023) TO THREADS OF COLLET NUT AND TIGHTEN.
4. UNLESS OTHERWISE NOTED, ASSEMBLE LEMO CONNECTOR ACCORDING TO MANUFACTURER'S INSTRUCTIONS.
5. **PRODUCT TO BE RoHS COMPLIANT, USE SAC-305 LEAD-FREE SOLDER**

ITEM	QTY	PART NUMBER	DESCRIPTION	MATERIAL					
PARTS LIST									
MATERIAL	N/A	APPROVALS	DATE	LARSON-DAVIS Provo, Utah (801) 375-0177 TITLE SPARK INPUT CABLE LEMO TO PIGTAIL 4.5'					
FINISH	N/A	DRAWN	K. NOSACK 17 APR 01						
GENERAL NOTES		CHECKED	C. SMITH 17 APR 01						
		ENGINEER	C. SMITH						
		ISSUED	<i>C. Smith</i> 17 Apr 01	SIZE	FSCM NO.	DRAWING NO.	S706.05	REV.	B
		NEXT ASSY	-	SCALE:	NONE	SHEET 1 OF 1			